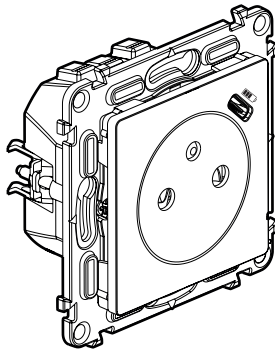
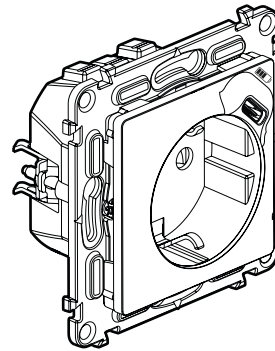


## Valena Life™ 2 P+E + USB Type-C mixed socket outlet

Cat. Nos: 7 531 36 - 7 532 36 - 7 533 36  
 7 531 35 - 7 532 35 - 7 533 35  
 7 563 35/36



7 531 36 - 7 532 36 - 7 533 36



7 531 35 - 7 532 35 - 7 533 35

### 1. USE

2 P+E socket outlets with child protection.  
 USB Type C socket: for recharging portable devices such as phones, smartphones, tablets, MP3, MP4, loudspeakers, watches, game consoles, powerbanks.  
 Recessed mounting in box depth 40 mm min.  
 Fixing with screws and/or claws.

### 2. RANGE

#### Description French standard

Mixed socket composed of:  
 - 2 P+E socket flush surface - 16 A - 250 V~  
 - single USB socket - 5 V~ - 1.5 A - 7.5 W  
 Supplied with support (spacing 71 mm) and cover plate

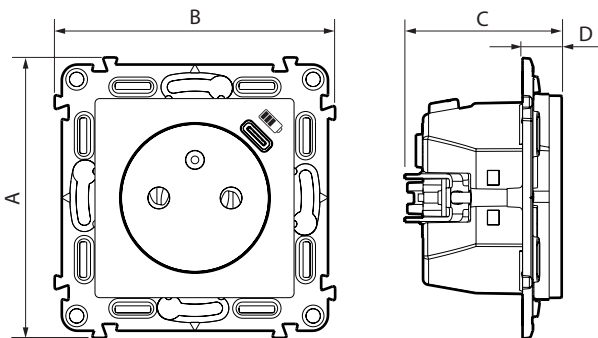
| White    | Ivory    | Aluminium | Black    |
|----------|----------|-----------|----------|
| 7 531 36 | 7 532 36 | 7 533 36  | 7 563 36 |

#### Description German standard

Mixed socket composed of:  
 - 2 P+E socket outlet - 16 A - 250 V~  
 - single USB socket - 5 V~ - 1.5 A - 7.5 W  
 Supplied with support (spacing 71 mm) and cover plate

| White    | Ivory    | Aluminium | Black    |
|----------|----------|-----------|----------|
| 7 531 35 | 7 532 35 | 7 533 35  | 7 563 35 |

### 3. DIMENSIONS (mm)



| Cat. Nos.                                 | A  | B  | C    | D  |
|---|----|----|------|----|
| 7 531 35 - 7 532 35 - 7 533 35 - 7 563 35 | 75 | 75 | 41.5 | 10 |
| 7 531 36 - 7 532 36 - 7 533 36 - 7 563 36 | 75 | 75 | 44.5 | 13 |

### 4. CONNECTION

#### ■ 4.1 2 P+E socket outlet

Type of terminals: automatics  
 Terminal capacity: 6 x 2.5 mm<sup>2</sup>  
 Stripping length: 11 mm  
 Flexible or rigid cables compatible

#### ■ 4.2 Type C USB socket

Prewired socket

### 5. TECHNICAL CHARACTERISTICS

#### ■ 5.1 Mechanical characteristics

Protection against impact: IK 04  
 Protection against solid bodies and liquids: IP 40

#### ■ 5.2 Material characteristics

Mechanism casing: PC  
 Cover plate: Painted PC  
 Support: PC grey RAL 7016 + metal  
 Claws: Steel  
 Halogen-free  
 UV-resistant

Self-extinguishing:  
 850°C/30 s for insulating components holding live parts in place  
 650°C/30 s for other insulating components

#### ■ 5.3 Electrical characteristics 2 P+E socket

Voltage: 250 V~  
 Current: 16 A  
 Frequency: 50/60 Hz

## 5. TECHNICAL CHARACTERISTICS *(continued)*

### ■ 5.4 Electrical characteristics USB socket

Integrated surge protection

All values listed below are measured at an ambient temperature of + 20° and after 30 minutes of operation.

|  |                    |
|--|--------------------|
| Nominal input voltage  | 100-240 V~         |
| Nominal input frequency  | 50/60 Hz           |
| Nominal output voltage   | 5.0 V <sup>−</sup> |
| Nominal input current  | 0.2 A              |
| Maximum output current Type-C  | 1.5 A              |
| Power consumption  | 7.5 W              |
| Average efficiency in active mode  | 82 %               |
| Stand-by power consumption   | < 0.07 W           |
| Consumption class without load and average level of efficiency: Level VI |                    |
| Protection class   | II - Low voltage   |

**Note:** To optimize the charging time of your device, ensure turn it off during the charging phase.

### ■ 5.5 Climate characteristics

Storage temperature: -10°C to +70°C

Usage temperature: -5°C to +35°C

## 6. CLEANING

Surface cleaning with a cloth.

Do not use: acetone, tar remover, trichlorethylene.

**Caution:** Always test before using other special cleaning products.

## 7. STANDARDS AND APPROVALS

Compliant with installation and manufacturing standards.

See e-catalogue.